

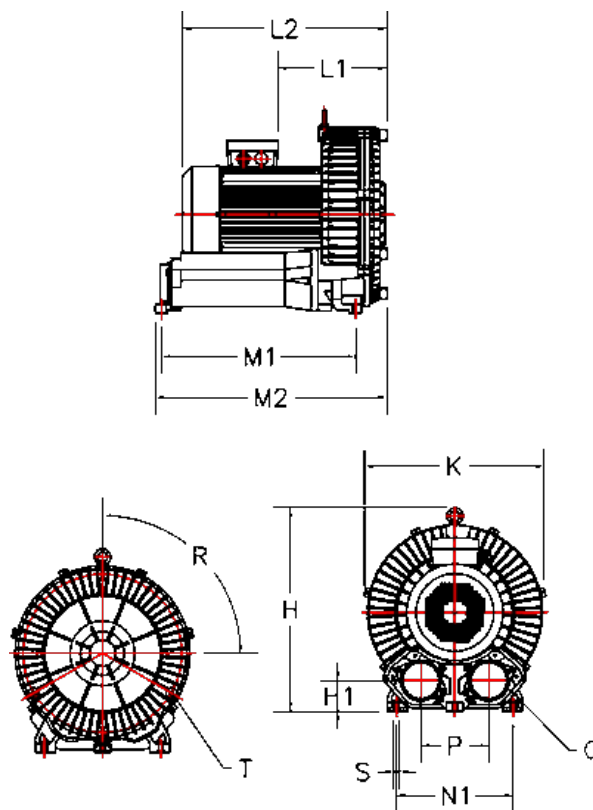
Data Sheet



Article number: 2761082975011

Description: KLEEblower KB829 7,5/8,6 kW
3x230/400V 50/60Hz Single stage with Klixon/built in bimetal switch

Measures



H = 512	N1 = 375
H1 = 96	Noise level dB 50/60Hz = 74/79
K = 464	P = 145
L1 = 248.5	Q = 2-PF 2 1/2" (NPT 2 1/2")
L2 = 495	R (degrees) = 3x120
M1 = 280	S = 4 x Ø15
M2 = 490	T = 3 - M12X1,75 - 20 dyb
N = 430	